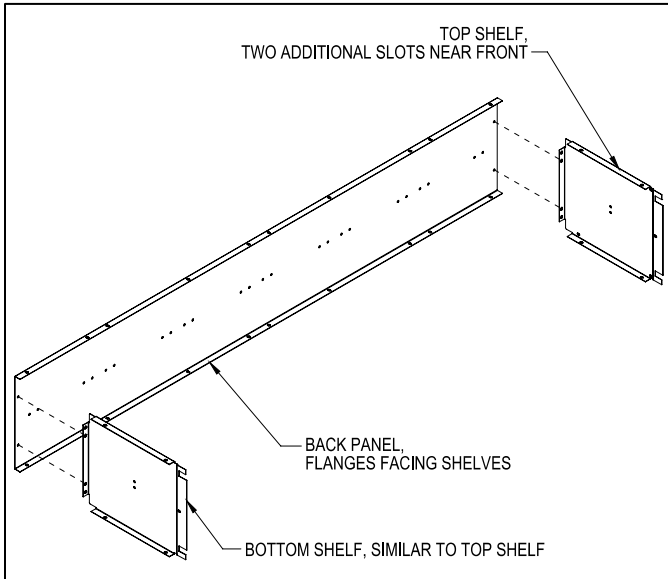


# 12" Wide Vented Lockers – 75000 / 76000 Series Box Style Installation Instructions

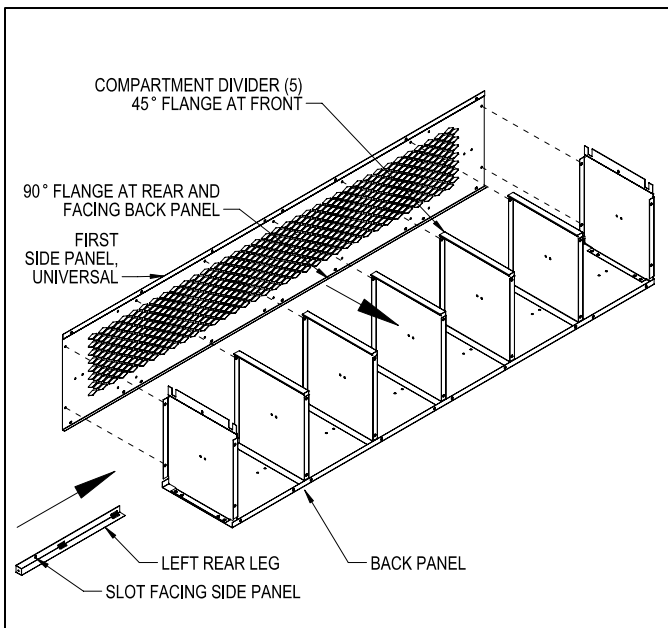
Thank you for selecting Salsbury's 12" wide vented box style lockers. These instructions are intended to assist you in assembling the lockers. Note that a 6-foot high locker is shown in the diagrams – hole locations will be different for 5-foot high lockers. Assembly of the various locker components will use #10-24 x 3/8" long slotless screws and #10 nuts (provided). Loosely fasten a screw and a nut into every set of mating holes with the screw heads positioned on the outside (or exposed) surface of the locker.

## One Wide Locker Assembly

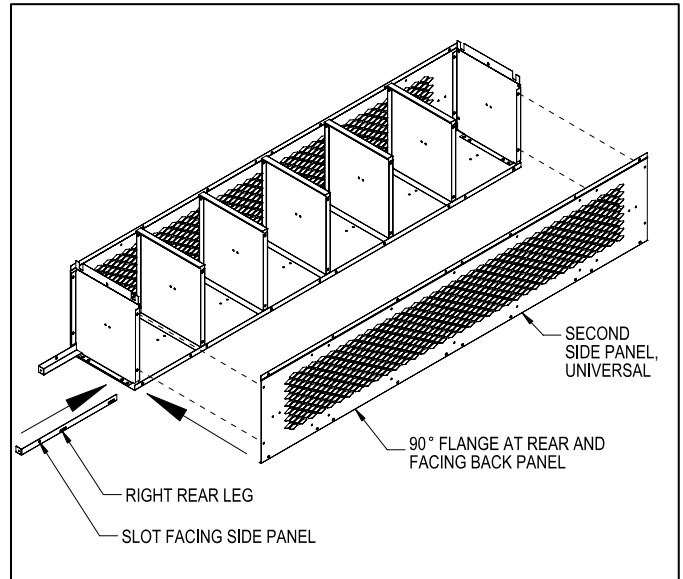
**Step 1:** Attach the top shelf and bottom shelf to the back panel.



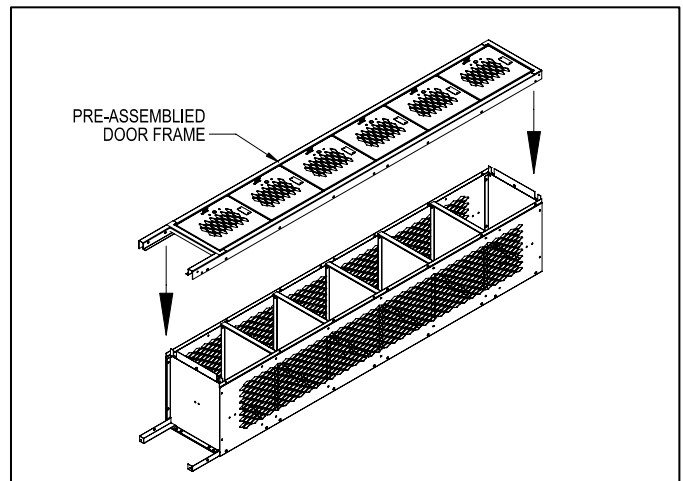
**Step 2:** Turn the back panel onto its back with the shelves pointing upward. Attach the first side panel, the left rear leg, and five compartment dividers to the assembly from Step 1.



**Step 3:** Attach the second side panel and the right rear leg to the assembly from Step 2. The locker chassis is now complete.



**Step 4:** Attach the pre-assembled door frame onto the assembly from Step 3.



**Step 5:** Tighten all fasteners, ensuring the locker remains square during the process. If desired, attach optional sloping hood, end bases, or front base (see pages 4 and 5).

**Step 6:** Place the locker in the installation location and anchor to the floor, wall, or both. Individual job conditions will dictate the type of fastening anchors to use (not provided).

**Step 7:** Fasten all lockers in a row together by installing fasteners provided through the side panels. Installation is now complete.

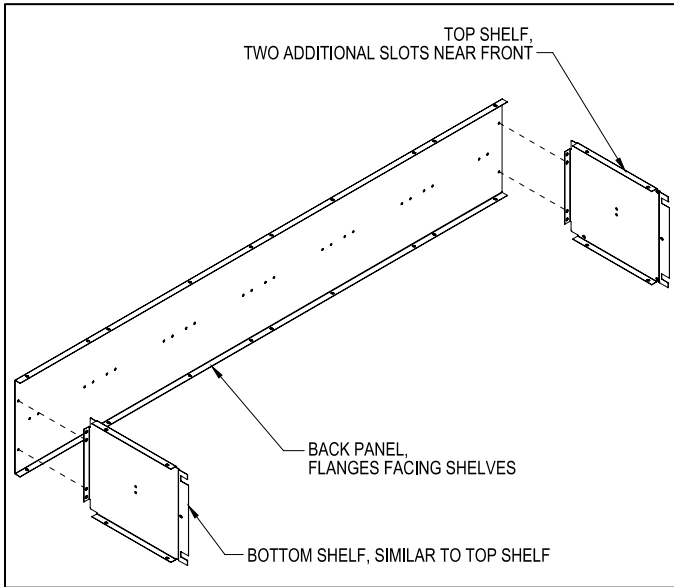
## SALSBUURY INDUSTRIES

18300 Central Avenue, Carson, CA 90746-4008  
 Phone: 1-800-562-5377 Int'l Phone: 323-846-6700  
 Fax: 1-800-562-5399 Int'l Fax: 323-846-6800  
 www.lockers.com engineering@lockers.com

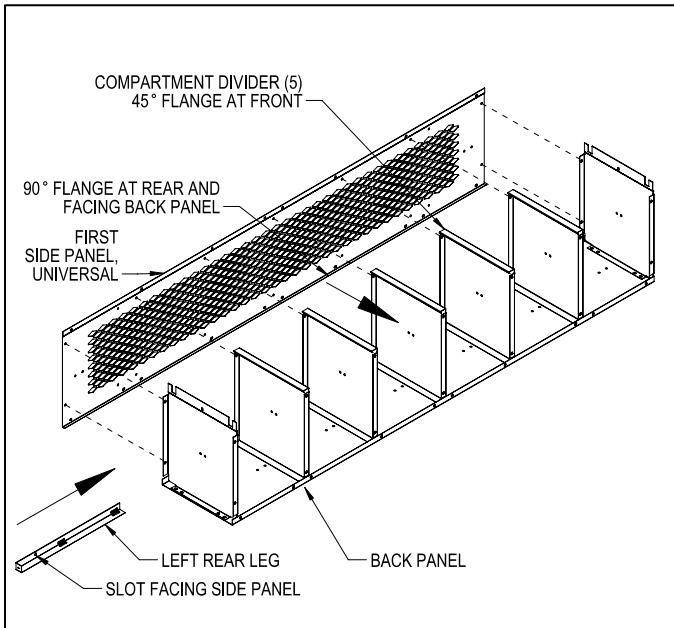
# 12" Wide Vented Lockers – 75000 / 76000 Series Box Style Installation Instructions

## Three Wide Locker Assembly

**Step 1:** Attach a top shelf and a bottom shelf to a back panel.

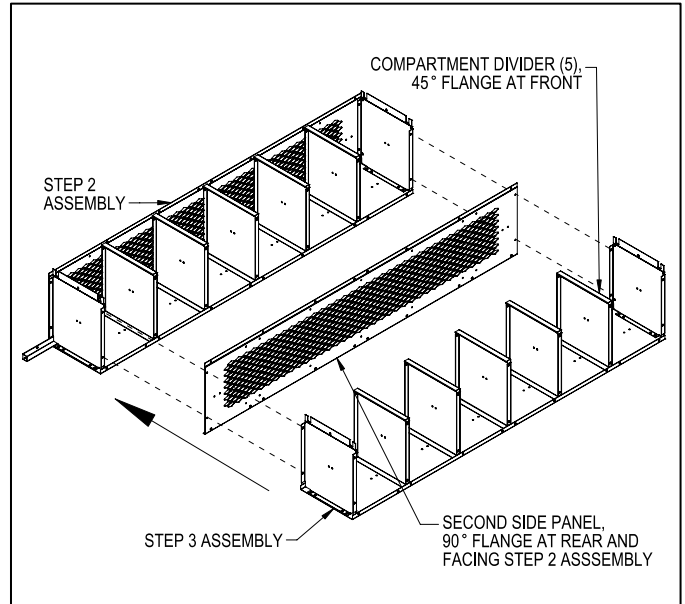


**Step 2:** Turn the back panel onto its back with the shelves pointing upward. Attach the first side panel, the left rear leg, and five compartment dividers to the assembly from Step 1.



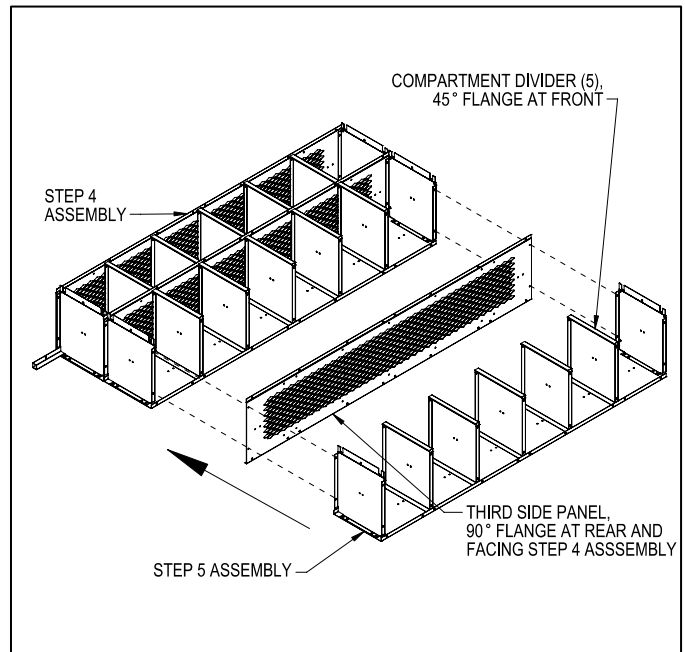
**Step 3:** Attach a second top shelf and a second bottom shelf to a second back panel (as in Step 1).

**Step 4:** Simultaneously attach the assembly from Step 3, a second side panel, and five additional compartment dividers to the assembly from Step 2.



**Step 5:** Attach a third top shelf and a third bottom shelf to a third back panel (as in Steps 1 and 3).

**Step 6:** Simultaneously attach the assembly from Step 5, a third side panel, and five additional compartment dividers to the assembly from Step 4.



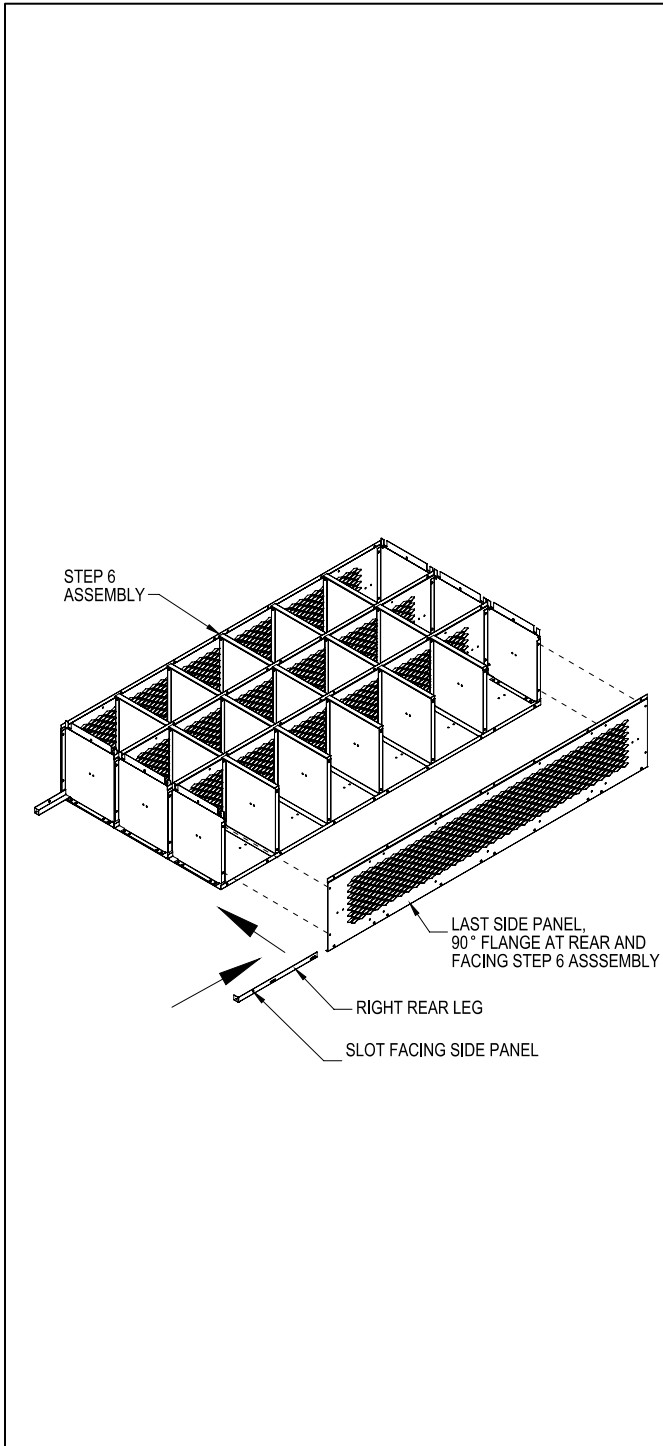
## SALSBURY INDUSTRIES

18300 Central Avenue, Carson, CA 90746-4008  
 Phone: 1-800-562-5377 Int'l Phone: 323-846-6700  
 Fax: 1-800-562-5399 Int'l Fax: 323-846-6800  
 www.lockers.com engineering@lockers.com

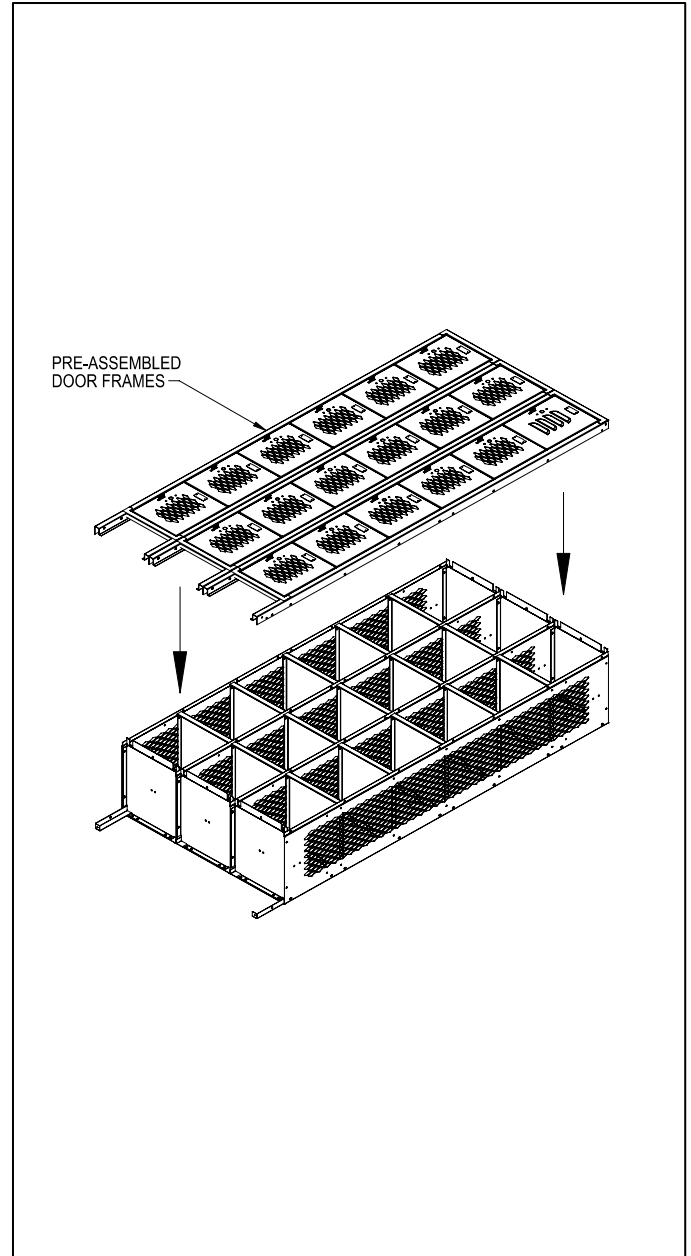
# 12" Wide Vented Lockers – 75000 / 76000 Series Box Style Installation Instructions

## Three Wide Locker Assembly (continued)

**Step 7:** Attach the last side panel and the right rear leg to the assembly from Step 6. The locker chassis is now complete.



**Step 8:** Attach the pre-assembled door frames to the completed locker chassis from Step 7.



**Step 9:** Tighten all fasteners, ensuring the locker remains square during the process. If desired, attach optional sloping hood, end bases, or front base (see pages 4 and 5).

**Step 10:** Place the locker in the installation location and anchor to the floor, wall, or both. Individual job conditions will dictate the type of fastening anchors to use (not provided).

**Step 11:** Fasten all lockers in a row together by installing fasteners through the side panels. Installation is now complete.

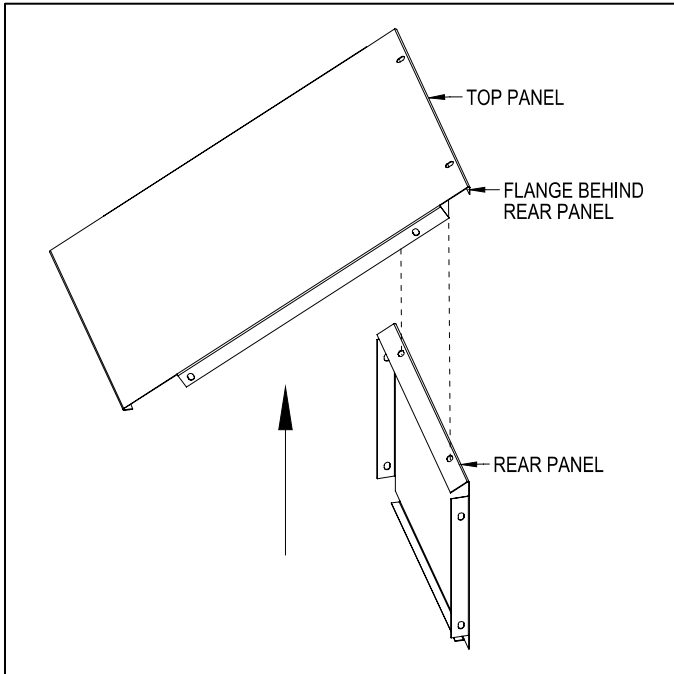
## SALSBURY INDUSTRIES

18300 Central Avenue, Carson, CA 90746-4008  
Phone: 1-800-562-5377 Int'l Phone: 323-846-6700  
Fax: 1-800-562-5399 Int'l Fax: 323-846-6800  
www.lockers.com engineering@lockers.com

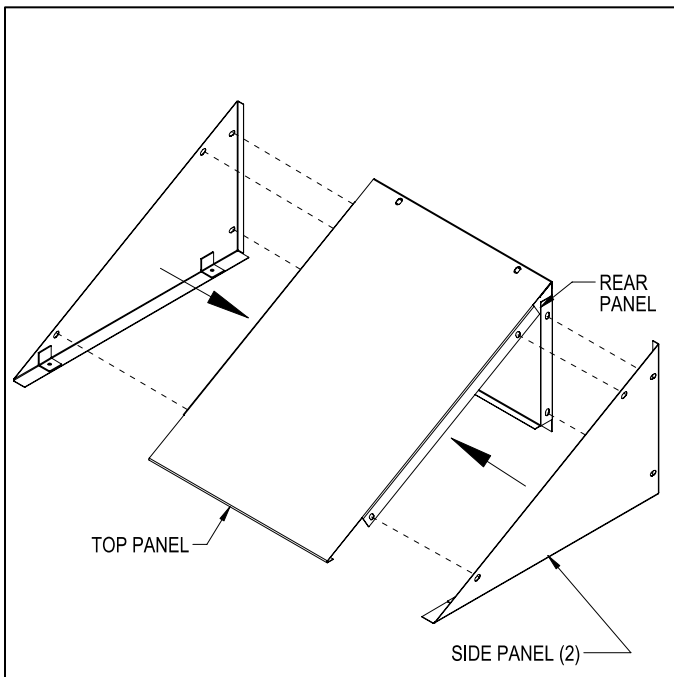
# 12" Wide Vented Lockers – 75000 / 76000 Series Box Style Installation Instructions

## Sloping Hood Installation (Optional)

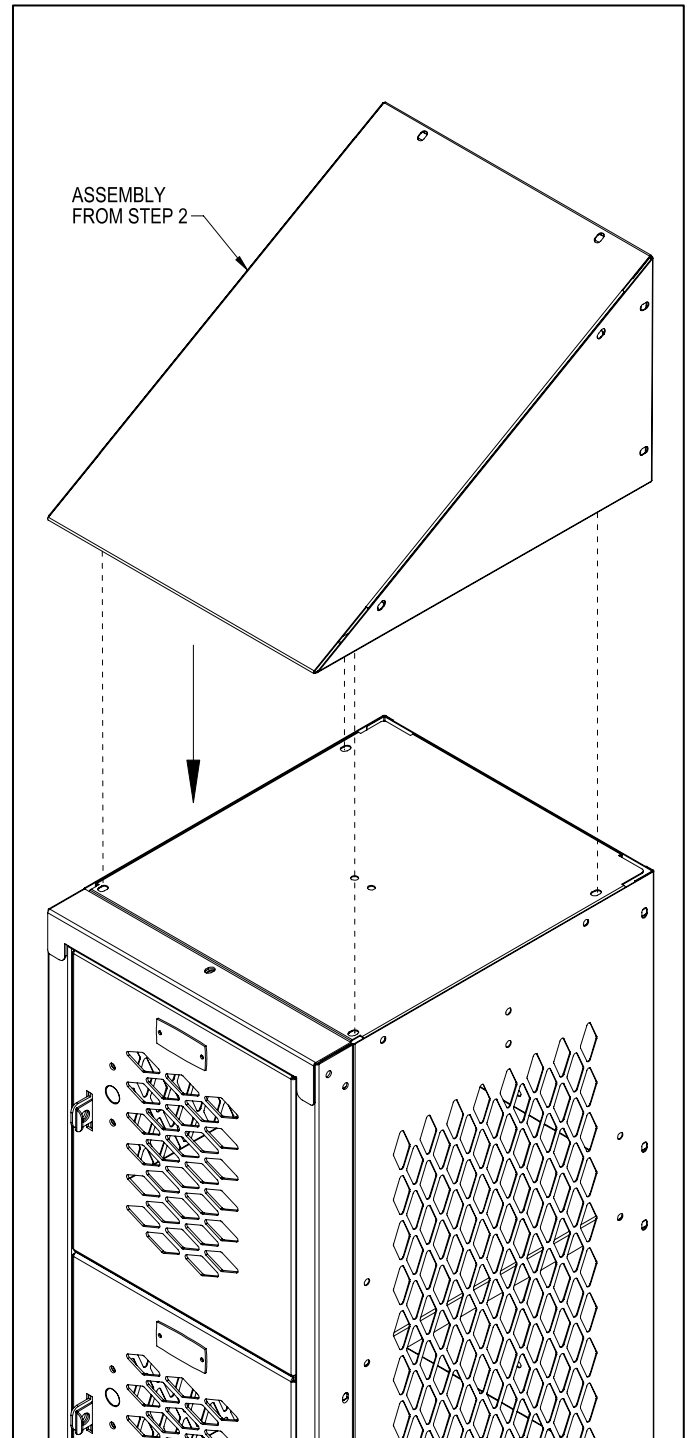
**Step 1:** Attach the top panel to the rear panel using #10-24 x 3/8" slotless screws and #10 nuts (provided). Position the flange of the top panel behind the rear panel.



**Step 2:** Attach the side panels to the top panel and rear panel. Sloping hood assembly is now complete.



**Step 3:** Attach the sloping hood to the top of the locker with slotted #8 - 32 screws (provided).



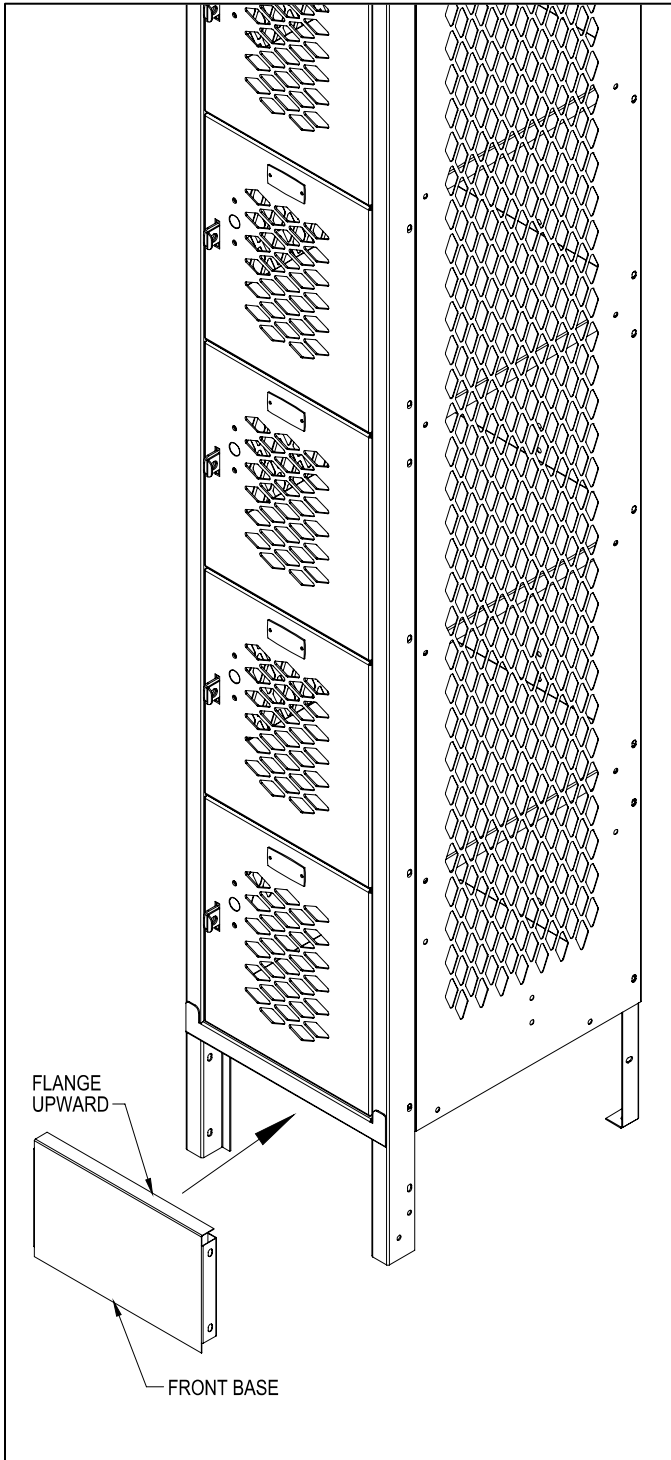
## SALSBURY INDUSTRIES

18300 Central Avenue, Carson, CA 90746-4008  
Phone: 1-800-562-5377 Int'l Phone: 323-846-6700  
Fax: 1-800-562-5399 Int'l Fax: 323-846-6800  
www.lockers.com engineering@lockers.com

# 12" Wide Vented Lockers – 75000 / 76000 Series Box Style Installation Instructions

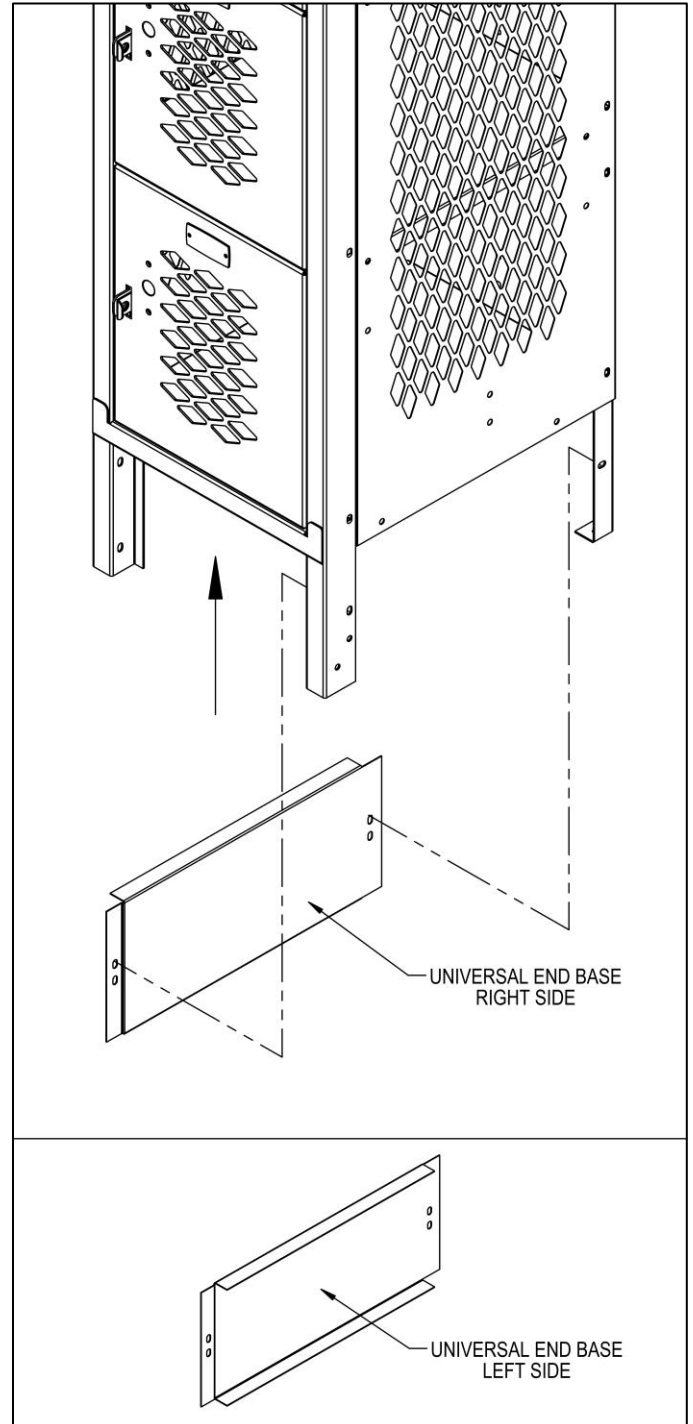
## Front Base Installation (Optional)

Position the front base between the front legs of the locker with the flange upward. Attach to the locker legs with #10-24 x 3/8" slotless screws and #10 nuts (provided).



## End Base Installation (Optional)

Position the appropriate end base (right or left) behind the corresponding side legs (right or left) of the locker with the flange upward. Attach to the locker legs with #10-24 x 3/8" slotless screws and #10 nuts (provided). Repeat for the opposite side.



## SALSBURY INDUSTRIES

18300 Central Avenue, Carson, CA 90746-4008

Phone: 1-800-562-5377

Int'l Phone: 323-846-6700

Fax: 1-800-562-5399

Int'l Fax: 323-846-6800

[www.lockers.com](http://www.lockers.com)

[engineering@lockers.com](mailto:engineering@lockers.com)